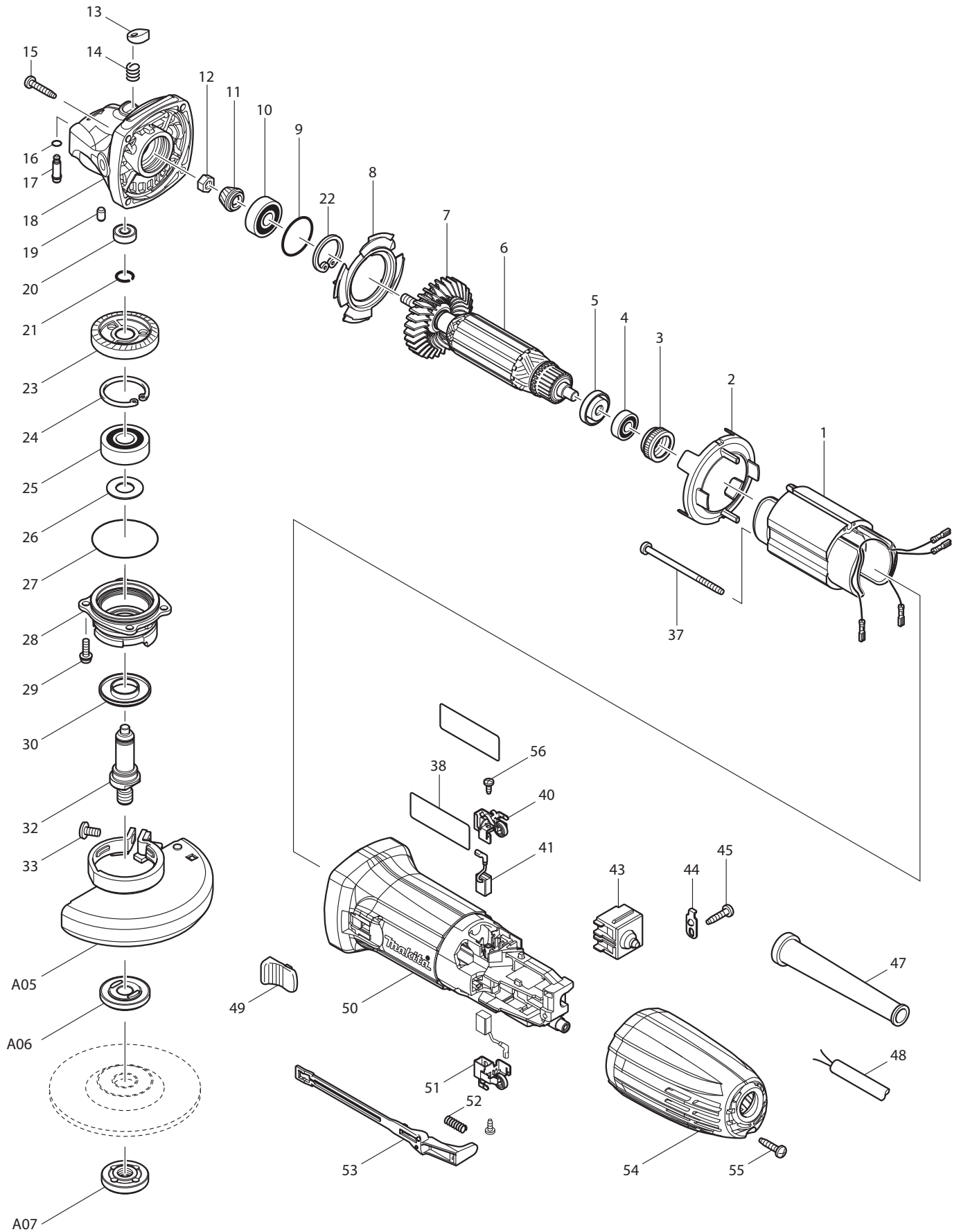




09 - 2010
GA4030K
4" ANGLE GRINDER



Item No	Type	Ref	Part No	SC Description	Qty	Unit
001	2		635111-8	FIELD 115V	1	PC.
002			450796-7	BAFFLE PLATE	1	PC.
003	2		422768-2	LABYRINTH RUBBER RING 19	1	PC.
004			210034-7	BALL BEARING 607LLB	1	PC.
005			681636-0	INSULATION WASHER	1	PC.
006			517646-0	ARMATURE ASS'Y 115V	1	PC.
		INC.		Item No. 4, 5, 7	1	PC.
007	1		240107-2	FAN 56	1	PC.
	2		240139-9	FAN 56	1	PC.
008			413126-3	GUIDE PLATE	1	PC.
009			213445-5	O-RING 26	1	PC.
010			211092-6	BALL BEARING 629DDW	1	PC.
011			227545-5	* SPIRAL BEVEL GEAR 10	1	PC.
012			252186-8	HEX. NUT M6	1	PC.
013			417771-6	PIN CAP	1	PC.
014			234057-1	COMPRESSION SPRING 8	1	PC.
015			266324-6	TAPPING SCREW 4X22	4	PC.
016	2		213032-0	O RING 4 (OLD# 213960-9)	1	PC.
017			256510-7	SHOULDER PIN 4	1	PC.
018			318335-8	GEAR HOUSING	1	PC.
019			263002-9	RUBBER PIN 4	1	PC.
020			210033-9	BALL BEARING 696ZZ	1	PC.
021			233950-6	RING SPRING 11	1	PC.
022			962105-3	RETAINING RING R-26	1	PC.
023			227546-3	* SPIRAL BEVEL GEAR 37	1	PC.
024			962151-6	RETAINING RING R-32	1	PC.
025			211129-9	BALL BEARING 6201DDW	1	PC.
026	2		267238-2	FLAT WASHER 12	1	PC.
027			213561-3	O RING 42	1	PC.
028			318336-6	BEARING BOX	1	PC.
029			265099-4	PAN HEAD SCREW M4X14	4	PC.
030			345464-4	LABYRINTH RING	1	PC.
032			324957-4	SPINDLE A	1	PC.
033			265180-1	PAN HEAD SCREW M5X16	1	PC.
037			266325-4	TAPPING SCREW 4X70	2	PC.
038			866033-3	GA4030 NAME PLATE	1	PC.
040			643839-4	BRUSH HOLDER 6X9	1	PC.
041	2		195025-8	CARBON BRUSH CB-458 2PC/SET (W/ ORIGIN)	1	SET
043	3		651947-7	SWITCH 1247.0302	1	PC.
044			687681-3	STRAIN RELIEF	1	PC.
045			266326-2	TAPPING SCREW 4X18	1	PC.
047			682559-5	CORD GUARD 8	1	PC.
048			664891-9	CORD WITH PLUG 2P-18-2.5M SJ	1	PC.
049			419566-3	SWITCH KNOB	1	PC.
050	2		144003-5	MOTOR HOUSING COMPLETE	1	PC.
		INC.	809R73-6	CAUTION LABEL (FR/SP)	1	PC.
		INC.	810341-4	CAUTION LABEL	1	PC.
051			643839-4	BRUSH HOLDER 6X9	1	PC.
052			233121-5	COMPRESSION SPRING 4	1	PC.
053			450797-5	SWITCH LEVER	1	PC.
054			450794-1	REAR COVER	1	PC.
055			266326-2	TAPPING SCREW 4X18	1	PC.
056	2		266492-5	TAPPING SCREW 3X8 (OLD# 265954-0)	2	PC.

Item No	Type	Ref	Part No	SC Description	Qty	Unit
057			891976-0	CLEAR LABEL	1	PC.
100			652044-2	+BIND SCREW M3.5 X 5.0 (FOR SWITCH)	2	PC.
101			652263-0	CLAMP WASHER (FOR SWITCH)	2	PC.
ACCESSORIES				- See catalogue or visit www.makita.ca for more optional accessories -		
A01			153504-2	GRIP 36 COMPLETE	1	PC.
A02			782420-7	LOCK NUT WRENCH 20	1	PC.
A03			824736-5	PLASTIC CARRYING CASE	1	PC.
		INC.	182935-8	SLIDE LATCH (R.L) SET	1	SET
A04	2		D-20775	4" DEPRESSED CENTER WHEEL A24R-BF	1	PC.
	Opt.		-----	DEPRESSED CENTER GRINDING WHEELS		
A05	3		125885-4	WHEEL COVER ASSEMBLY F/4" (SE from NOV2010)	1	PC.
		INC.	213009-5	O RING 4	1	PC.
		INC.		Item No.33	1	PC.
	4		122B50-8	WHEEL COVER ASSEMBLY F/4" (SE from NOV2010)	1	PC.
		INC.	213009-5	O RING 4	1	PC.
		INC.		Item No.33	1	PC.
A06			224377-1	INNER FLANGE 35	1	PC.
A07			224573-1	LOCK NUT 10-35	1	PC.
A08			194514-0	VIBRATION PROOF GRIP F/4" - 6", PKG	1	PC.
A09			-----	4" ABRASIVE DISC (SEE CATALOGUE FOR DETAILS)	1	PC.
A10			224501-6	SANDING LOCK NUT M10-1.25	1	PC.
A11			743009-6	RUBBER PAD F/4"	1	PC.
				WIRE CUP BRUSH, WIRE WHEEL BRUSH		
A12			-----	(SEE CATALOGUE FOR DETAILS)	1	PC.
A13			192475-8	DUST EXTRACTOR ATTACHMENT	1	PC.
		INC.	344252-6	BAND 9530	1	PC.
A14			A-04961	PLASTIC PAD (F/4" FLEX WHEEL) - N/L/A	1	PC.
A15			122909-7	4" CUT-OFF WHEEL GUARD	1	PC.

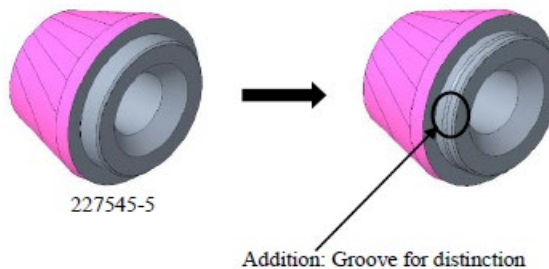
SERVICE CHANGES

1. Changes on Spiral Bevel Gear 10 and Spiral Bevel Gear (T/I#DJ258)

Item No.	Description	Type 1	Type 2
11	SPIRAL BEVEL GEAR10	227545-5	227545-5
23	SPIRAL BEVEL GEAR37	227545-5	227545-5

Above parts are completely interchangeable as a set.

[1] Spiral bevel gear 10



[2] Spiral bevel gear 37

